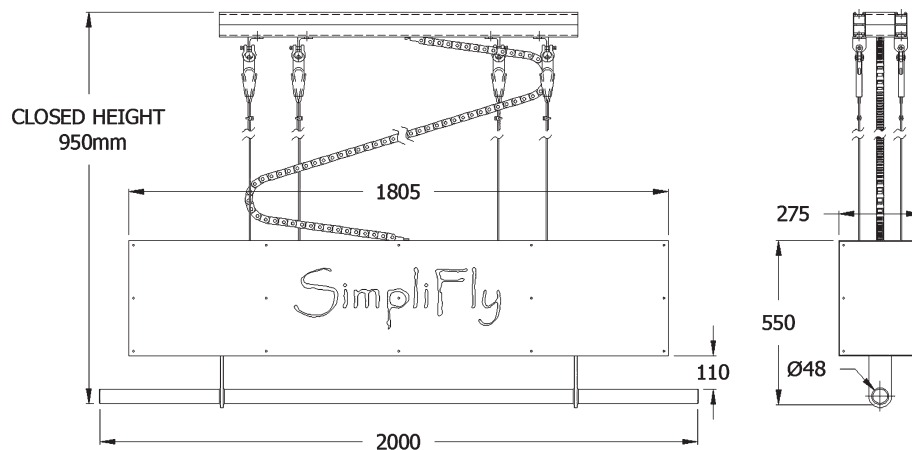
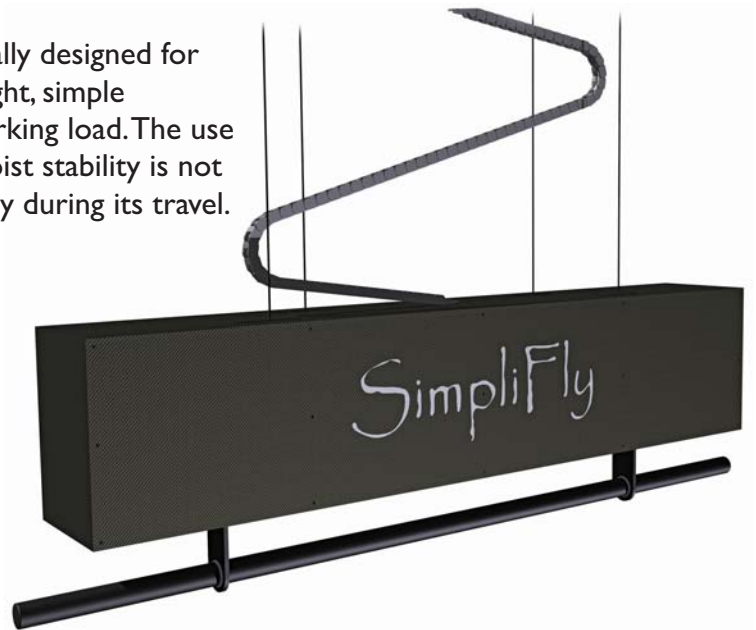


SimpliFly

The Self-Climbing Hoist

The SimpliFly is a self-climbing hoist specifically designed for smaller venues. This results in a low self-weight, simple installation and an impressive 150kg safe working load. The use of four suspension wires ensures that the hoist stability is not only maintained statically but also dynamically during its travel.

- **Safe Working Load:** 150kg U.D.L.
- **Speed:** 9 metres per minute
- **Maximum Travel:** 12 metres
- **Self-Weight:** 60kg
- **Bar Size:** 48mm diameter
- **Mechanical:** 4 x 4mm diameter black wire ropes. BGV-CI rated worm gearbox with safety nut.
- **Electrical:** Single phase inverter with variable speed option.
End of Travel and Overtravel Limits via easily adjustable limit box.
- **Options:** Wireless control, cable reeler, energy chain, BS4343 sockets, DMX sockets.
- **Advantages:** Low weight for easy installation. Low maintenance requirements. Can be supplied from a 13A socket.



CENTRE STAGE
ENGINEERING

Unit 4 Highland Close
St. Helens Way
Fison Way Industrial Estate
Thetford
Norfolk IP24 1HG



Tel: 0844 499 6250
+44 1842 821210
Fax: 0844 499 6252
info@centre-stage.co.uk
www.centre-stage.co.uk