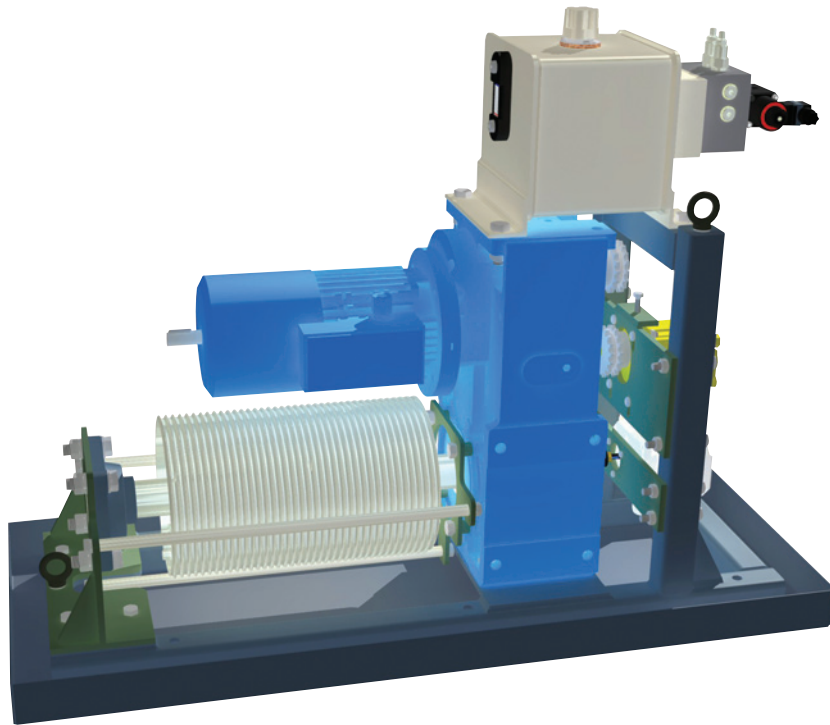


# FireFly

## The Safety Curtain Hoist



The FireFly safety curtain hoist is conventional in operation but original in conception. It has an extremely compact footprint that permits ease of installation in restricted spaces. It is fitted with an AC induction motor with a 24v dc brake that is electrically released via the control panel and uses a custom designed hydraulic fall arrester unit for a gravity-controlled descent.

- Will raise a 500kg out-of-balance load at 8 metres per minute
- Descent time of 30 seconds for a 10 metre drop
- Single or dual 8mm wire rope hauling lines
- Compact footprint of 400mm (W) x 1100mm (L) x 820mm (H)
- Emergency operation via manual handle or power drill
- Adjustable hydraulic damper zone
- Oil level gauge

**CENTRE STAGE**  
ENGINEERING

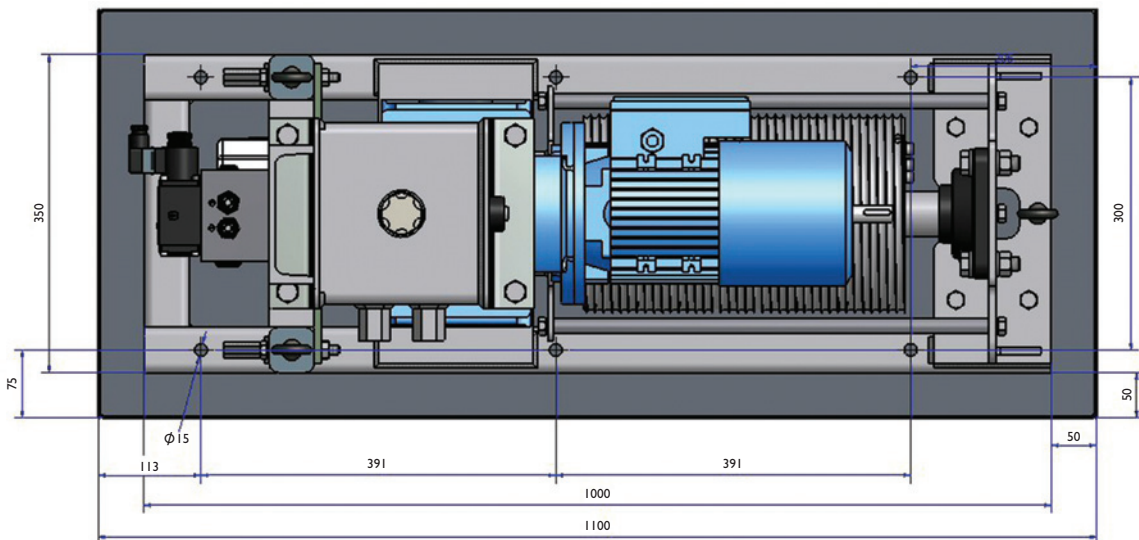
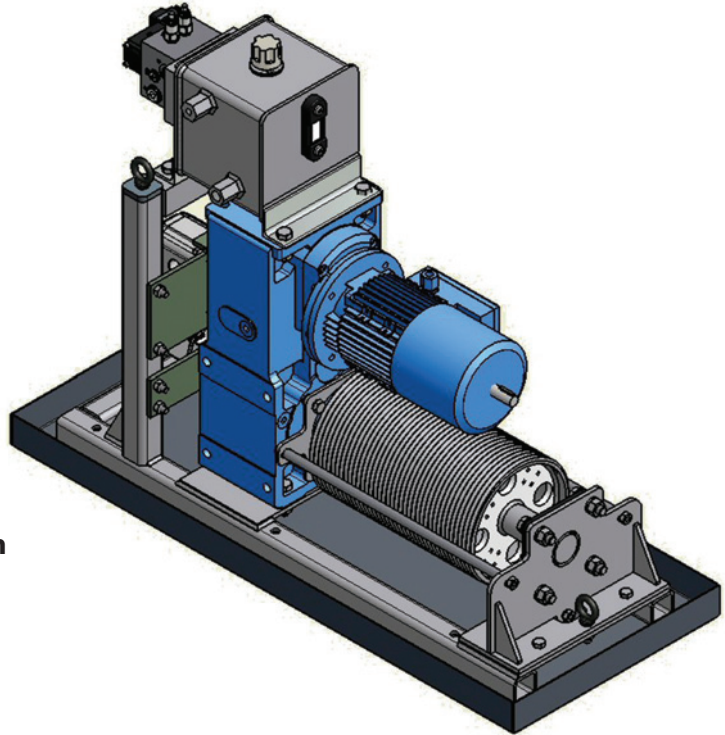
[www.centre-stage.co.uk](http://www.centre-stage.co.uk)

# FireFly

The Safety Curtain Hoist

The hoist can be supplied with the following equipment for a complete installation:

- **Motor Control Panel incorporating a monitored battery supply for emergency operation and a soft start unit for controlled raising of the curtain**
- **Stage Release Panel with system status indicators and optional drencher controls**
- **Auxiliary Release Panel**



**CENTRE STAGE**  
ENGINEERING

Unit 4 Highland Close  
St. Helens Way  
Fison Way Industrial Estate  
Thetford  
Norfolk IP24 1HG



Tel: 0844 499 6250  
+44 1842 821210  
Fax: 0844 499 6252  
info@centre-stage.co.uk  
www.centre-stage.co.uk